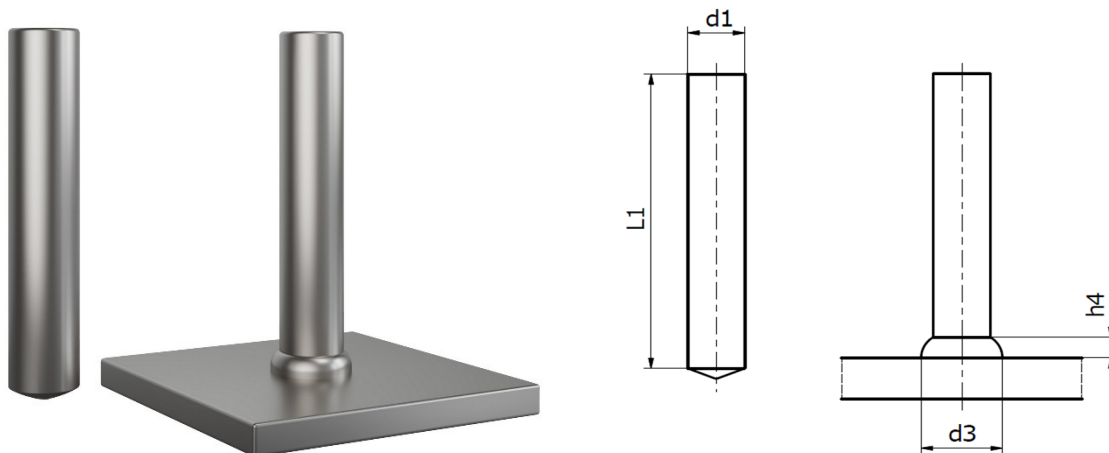


### Kołek kotłowy

### Boiler tube stud

### Kesselstift



Materiał, Material, Werkstoff :  
4.8 (S235J2), 1.4841, 1.4742,  
1.4301, 1.4841, 1.4828

Materiał, Material, Werkstoff : 4.8

d <sub>1</sub>	l <sub>1</sub> (mm)	Waga (kg/100) Weight Gewicht	h <sub>4</sub> (mm)	d <sub>3</sub> (mm)	Pierścień ceram Ferrule Type Keramikring	Uchwyt kołka Chuck Bolzenhalter	Uchwyt pierśc. ceram. Ferrule Grip Keramikringhalter	Podstawa pistoletu Foot Assembly Fußplatte
8	15	0,509	4,0	11	KSN8	25-36-00	65-09-00	36-06-11
8	20	0,746						
8	25	0,943						
8	30	1,140						
8	40	1,535						
8	45	1,732						
8	50	1,929						
8	60	2,655	4,0	13	KSN10	26-94-00	65-09-00	36-06-11
10	20	1,148				25-30-00		
10	25	1,456				25-09-00		
10	30	1,764						
10	35	2,073						
10	40	2,381						
10	45	2,689						
10	50	3,247						
10	55	3,702						
10	60	4,181						
10	70	5,044						
10	80	5,955						
10	90	6,913						
10	100	7,919						